

# DehuKing



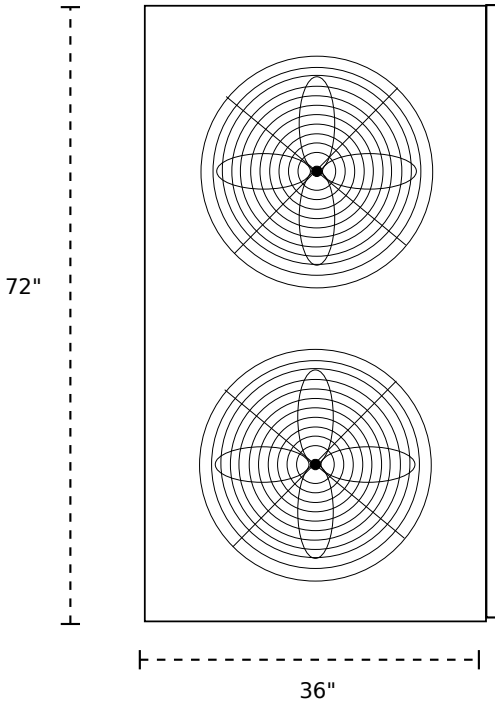
## 10 TON FULL FUNCTION REMOTE DEHU

### MODEL RDU10T14CK348-4

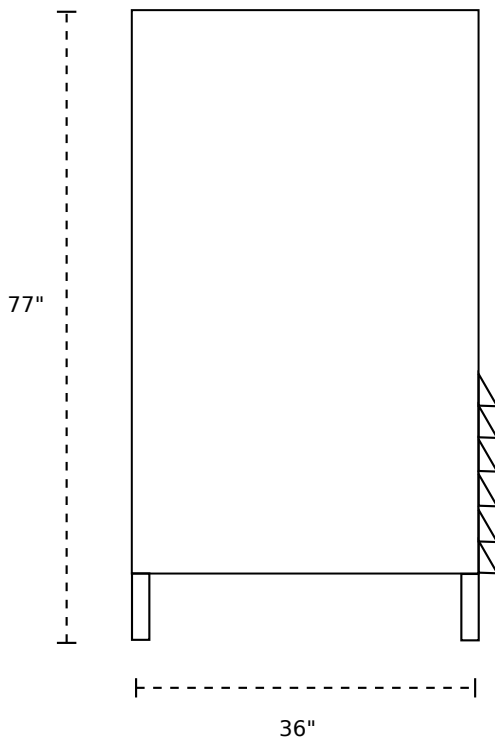
#### SPECIFICATIONS:

- 10 ton dehumidifier
- Performance: 13.96 gallons per hour @ 80F and 60% relative humidity
- 15 gallons per hour, 372 gallons per day
- 12.13 pints per KW
- Electrical: 460V, 60hz three phase
- Minimum Circuit Ampacity: 20, Maximum Fuse Size 27 Amps
- Two Remote Condensers each at Minimum Circuit Ampacity: 10.6 Amps, Maximum Fuse Size 15 Amps
- R410a Refrigerant
- Two 60,000 BTU/HR Copeland Scroll Compressors
- CFM: 7,200
- Dimensions:
  - Inside unit: 72" wide, 36" long, 77" tall
  - Outside remote units (2) each 35-1/2" wide, 35-1/2" long, 38-1/4" tall
- Weight (LBS): 1100; w/ closed crate 1620
- Decibels: 84

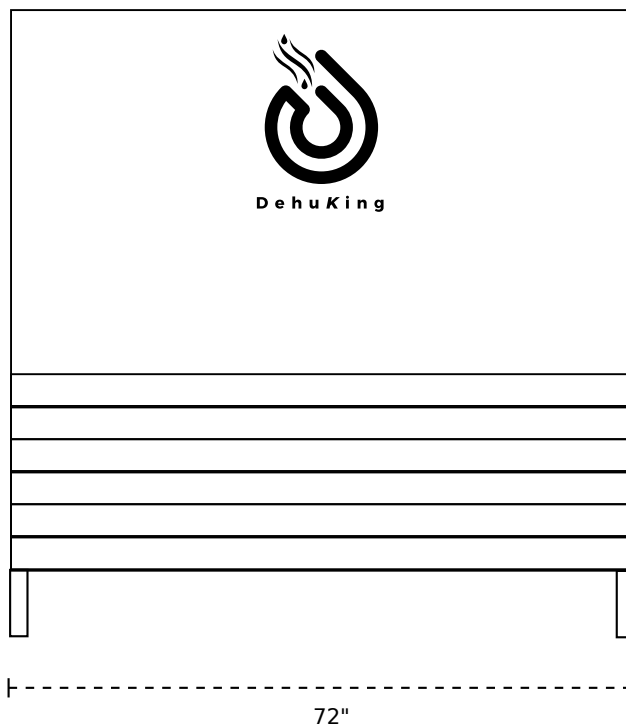
TOP



SIDE



FRONT



P.O. Box 1696 Bastrop, Texas 78602 Tel 512-303-1529

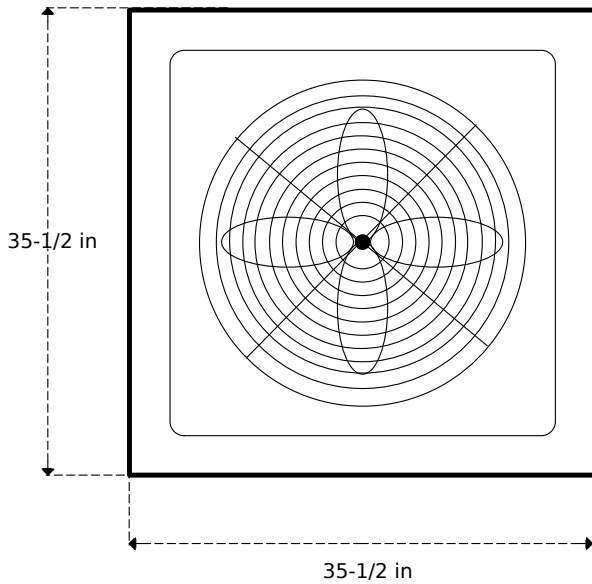
[www.chillking.com](http://www.chillking.com)



TOP

## 10 TON FULL FUNCTION DEHU

### MODEL RDU10T14CK348-4



#### SPECIFICATIONS:

Two remote condensers each:

- Electrical: Voltage range 414/506V
- Minimum Circuit Ampacity: 10.6 Amps, Maximum Fuse Size 15 Amps
- Each with 60,000 BTU/HR Copeland scroll compressor
- Dimensions (each): 35-1/2" wide, 35-1/2" long, 38-1/4" tall
- Approximate shipping weight (LBS): 301 each
- Decibels: 72

FRONT

REAR

