



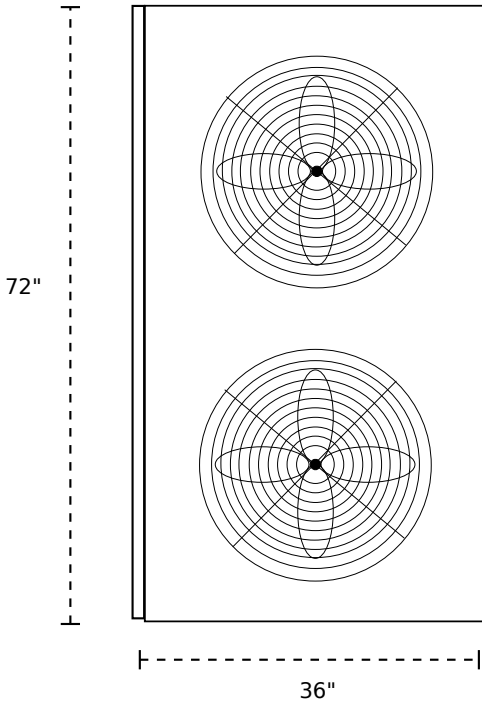
## 10 TON SPLIT DEHU

### MODEL DU10T14CK348-4-SPLIT

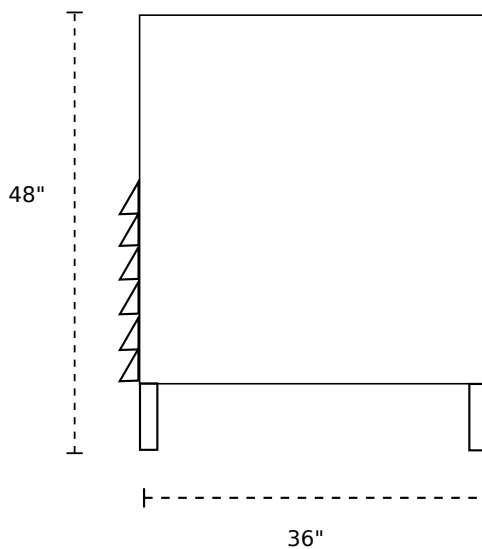
#### SPECIFICATIONS:

- 10 ton dehumidifier
  - Performance: 13.9 gallons per hour @ 80F and 60% relative humidity
  - 15.5 GPH at saturation 90F, 372 gallons per day
  - 12.13 pints per KWH @ 80F and 60% relative humidity
  - Electrical: 460V, 60hz three phase
  - Minimum Circuit Ampacity: 5, Maximum Fuse Size 15 Amps
  - R410a Refrigerant
  - Scroll Compressor, specs on next page
  - CFM: 4,100
  - Dimensions:
    - Inside unit 72" wide, 36" long, 48" tall
    - Outside remote units (2) - see second spec sheet
  - Weight (LBS): 1100; w/ closed crate 1620
  - Decibels: 84
- #### ADDITIONAL FEATURES:
- Cold air discharge only inside.

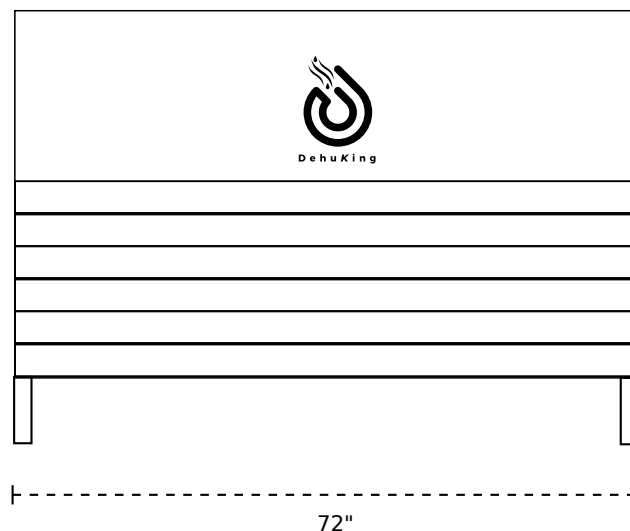
TOP



SIDE



FRONT

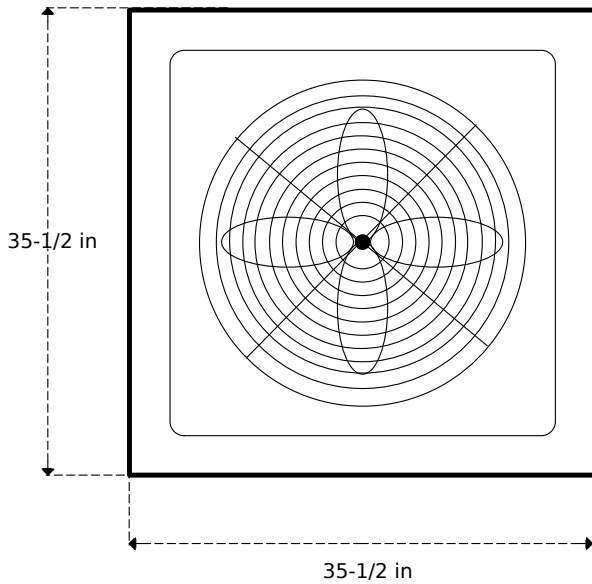




TOP

## 10 TON SPLIT DEHU

### MODEL DU10T14CK348-4-SPLIT



#### SPECIFICATIONS:

Two remote condensers each:

- Electrical: Voltage range 414/506V
- Minimum Circuit Ampacity: 10.6 Amps, Maximum Fuse Size 15 Amps
- Each with 60,000 BTU/HR Copeland scroll compressor
- Dimensions (each): 35-1/2" wide, 35-1/2" long, 38-1/4" tall
- Approximate shipping weight (LBS): 301 each
- Decibels: 72

FRONT

REAR

