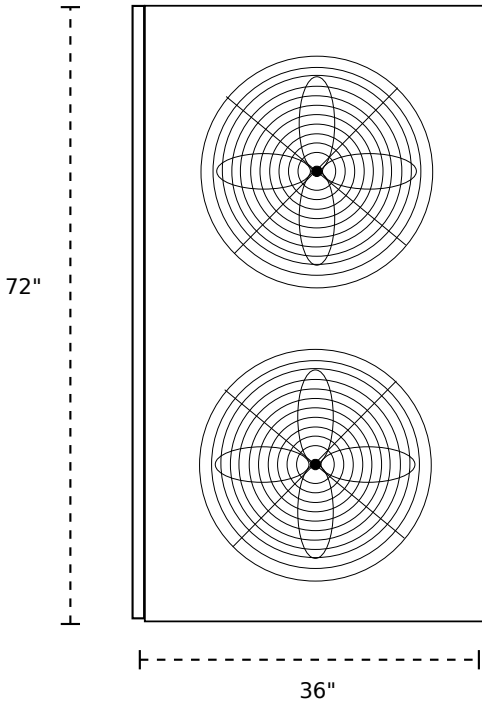




## 10 TON SPLIT DEHU

### MODEL DU10T14CK348-3-SPLIT

TOP



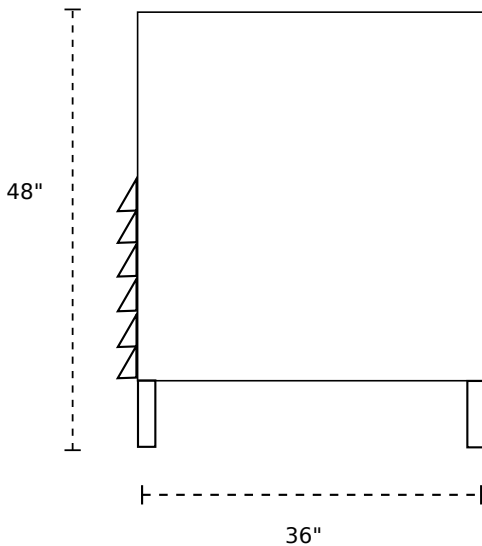
#### SPECIFICATIONS:

- 10 ton dehumidifier
- Performance: 13.9 gallons per hour @ 80F and 60% relative humidity
- 15.5 gallons per hour at saturation 90F, 372 gallons per day
- 12.13 pints per KWH @ 80F and 60% relative humidity
- Electrical: 208/230V, 60hz three phase
- Minimum Circuit Ampacity: 10, Maximum Fuse Size 20 Amps
- R410a Refrigerant
- Scroll Compressor, specs on next page
- CFM: 4,100
- Dimensions:
  - Inside unit 72" wide, 36" long, 48" tall
  - Outside remote units (2) - see second spec sheet
- Weight (LBS): 1100; w/ closed crate 1620
- Decibels: 84

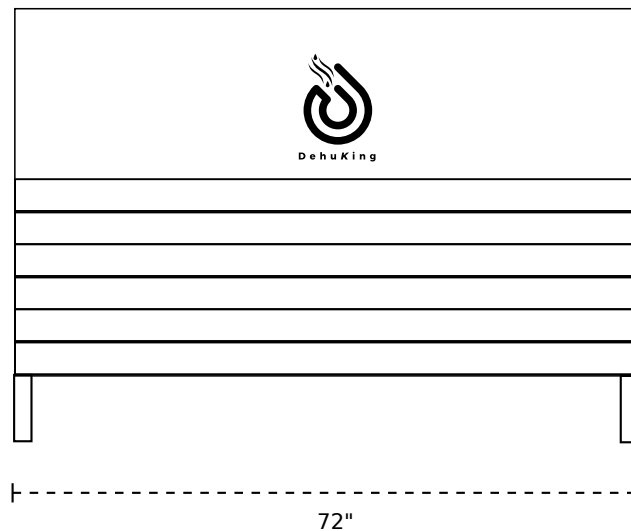
#### ADDITIONAL FEATURES:

- Cold air discharge only inside.

SIDE



FRONT

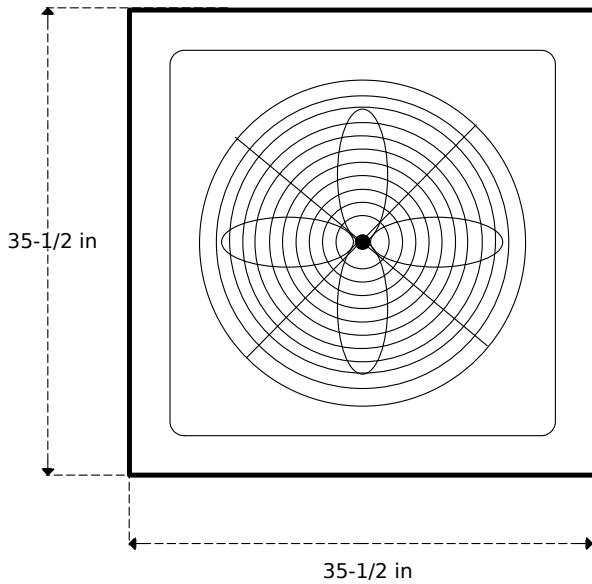




TOP

## 10 TON SPLIT DEHU

### MODEL DU10T14CK348-3-SPLIT



#### SPECIFICATIONS:

Two remote condensers each:

- Electrical: Voltage range 197V to 253V
- Minimum Circuit Ampacity: 46 Amps, Maximum Fuse Size 70 Amps
- Each with 60,000 BTU/HR Copeland scroll compressor
- Dimensions (each): 35-1/2" wide, 35-1/2" long, 38-1/4" tall
- Approximate shipping weight (LBS): 301 each
- Decibels: 72

FRONT

REAR

