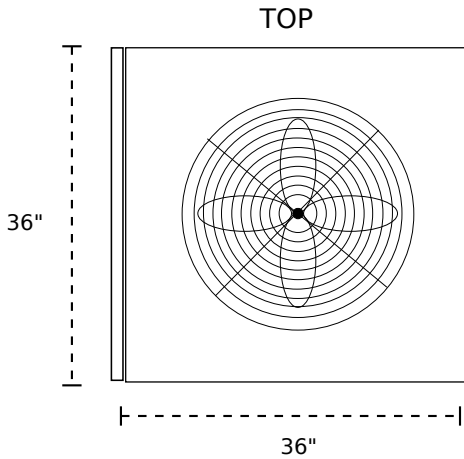


DehuKing



MODEL DU05T07CK172-1376-4

SPECIFICATIONS:

- 5 ton dehumidifier
- Performance: 6.5 gallons per hour @ 80F and 60% relative humidity
- 6.5 gallons per hour, 156 gallons per day, 1248 pints per day
- 10.1 pints per KW
- Electrical: 460V, 60hz three phase
- Minimum Circuit Ampacity: 11, Maximum Fuse Size 18 Amps
- R410a Refrigerant
- One 60,000 BTU/HR Copeland Scroll Compressors/25 RLA
- CFM: 4,200
- Dimensions: 36" wide, 36" long, 67" tall
- Weight (LBS): 795; w/ skeletal crate 870; w/ closed crate 1,000
- Decibels: 84

