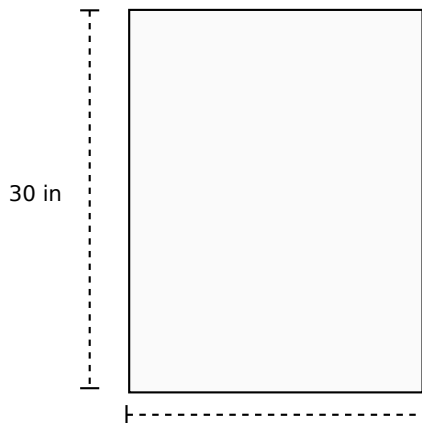


DehuKing



MODEL DU01T01UV034-272-1

TOP



SPECIFICATIONS:

- 1 ton dehumidifier
- Performance: 242 pints @ 80F and 60% relative humidity
- 1.42 gallons per hour, 34 gallons per day, 272 pints per day
- 9.68 pints per KW
- Electrical: 208/230V, 60hz Single phase
- Minimum Circuit Ampacity: 5.0, Maximum Fuse Size 15 Amps
- R410a Refrigerant
- One 12,000 BTU/HR 410a Compressor
- CFM: 490
- Dimensions: 18.5" wide, 30" long, 15" tall
- Weight (LBS): 140
- Decibels: 84

ADDITIONAL FEATURES:

- For suspending in Greenhouse, four easy access all thread mounts

SIDE



FRONT

